

PRODUCT DATA SHEET

INSULATED BUTT CONNECTORS



DESCRIPTION

Insulated Butt Connectors are used in marine, automotive and other applications that require the connection of a single wire to transfer electric current.

FEATURES

- Standard : DIN 46237
- Material : Copper, Tin Plated
- Insulation : PVC
- Operating Temperature : Maximum From 75° to 600 Volts

MARKINGS

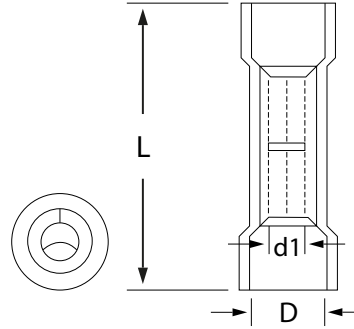


- It complies with RoHS standards.
- It complies with UKAS Quality Management standards.
- It complies with CE standards.
- It complies with UL standards.

PRODUCT DATA SHEET

INSULATED BUTT CONNECTORS

SECTIONS AND DIMENSIONS



PRODUCT CODE	COLOUR	CABLE SECTION (mm ²)	DIMENSIONS (mm)		
			L	D	d1
GBY - 251	Red	0.50 - 1.50 mm ²	24.6	4.0	1.7
GBY - 252	Blue	1.50 - 2.50 mm ²	24.6	4.5	2.3
GBY - 256	Yellow	4.00 - 6.00 mm ²	26.5	6.3	3.4